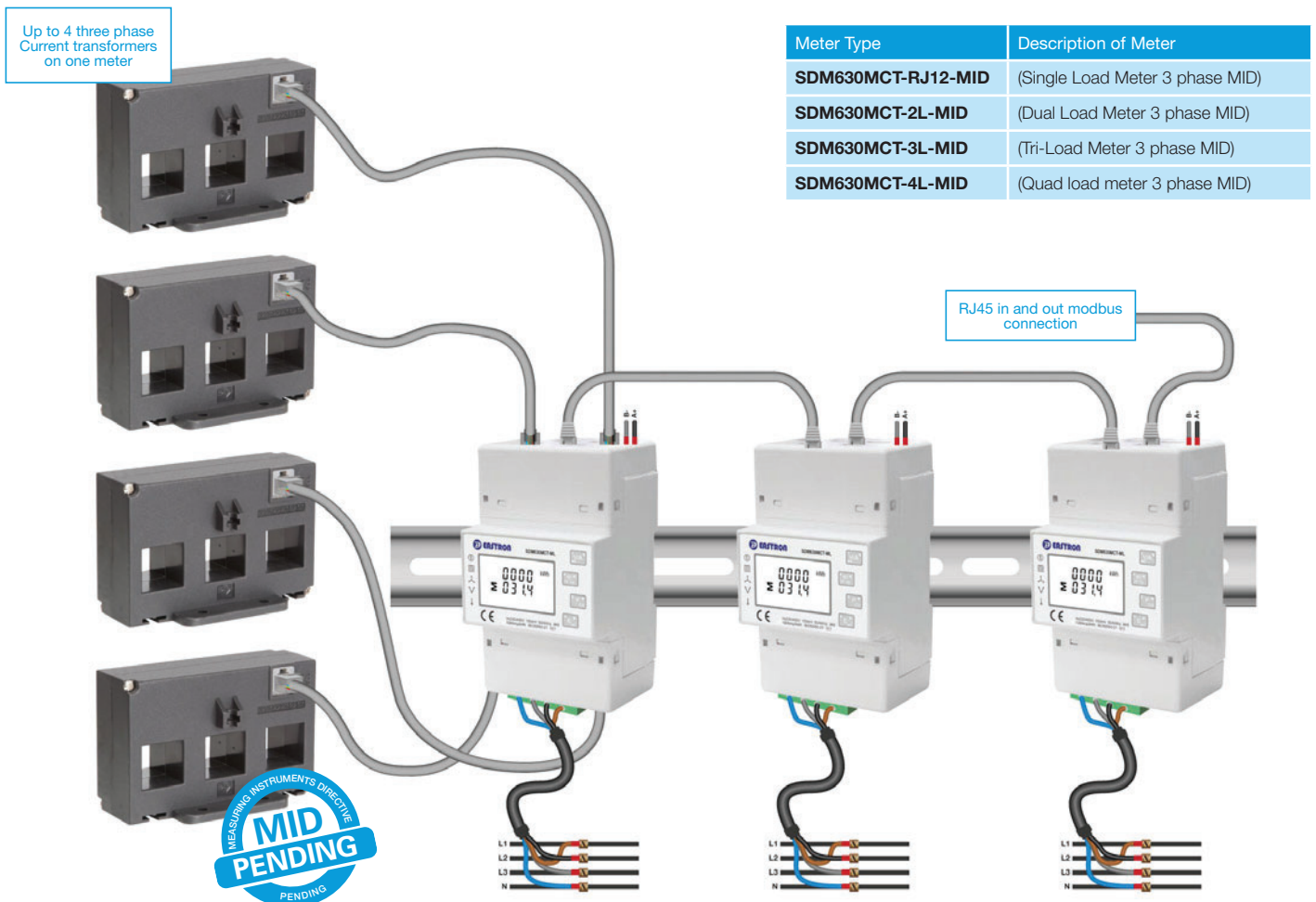


- CE and MID Certified in the UK (MID Pending)
- Overall System Accuracy Class B (1%)
- Phase sequence indication
- Built in RS485 RTU Modbus output
- Total Harmonic Distortion up to 31st Level
- Single Load option 3 phase 4 wire or 3 x 1 phase circuits (SDM630MCT-RJ12)
- Dual load option 2 x 3 phase 4 wire or 6 x 1 phase circuits (SDM630MCT-2L)
- Tri load option 3 x 3 phase 4 wire or 9 x 1 phase circuits (SDM630MCT-3L)
- Quad load option 4 x 3 phase 4 wire or 12 x 1 phase circuits (SDM630MCT-4L)
- Up to 124 x 3 phase 4 wire channels or 372 x 1 phase channels on one Modbus network (32 SDM630MCT)

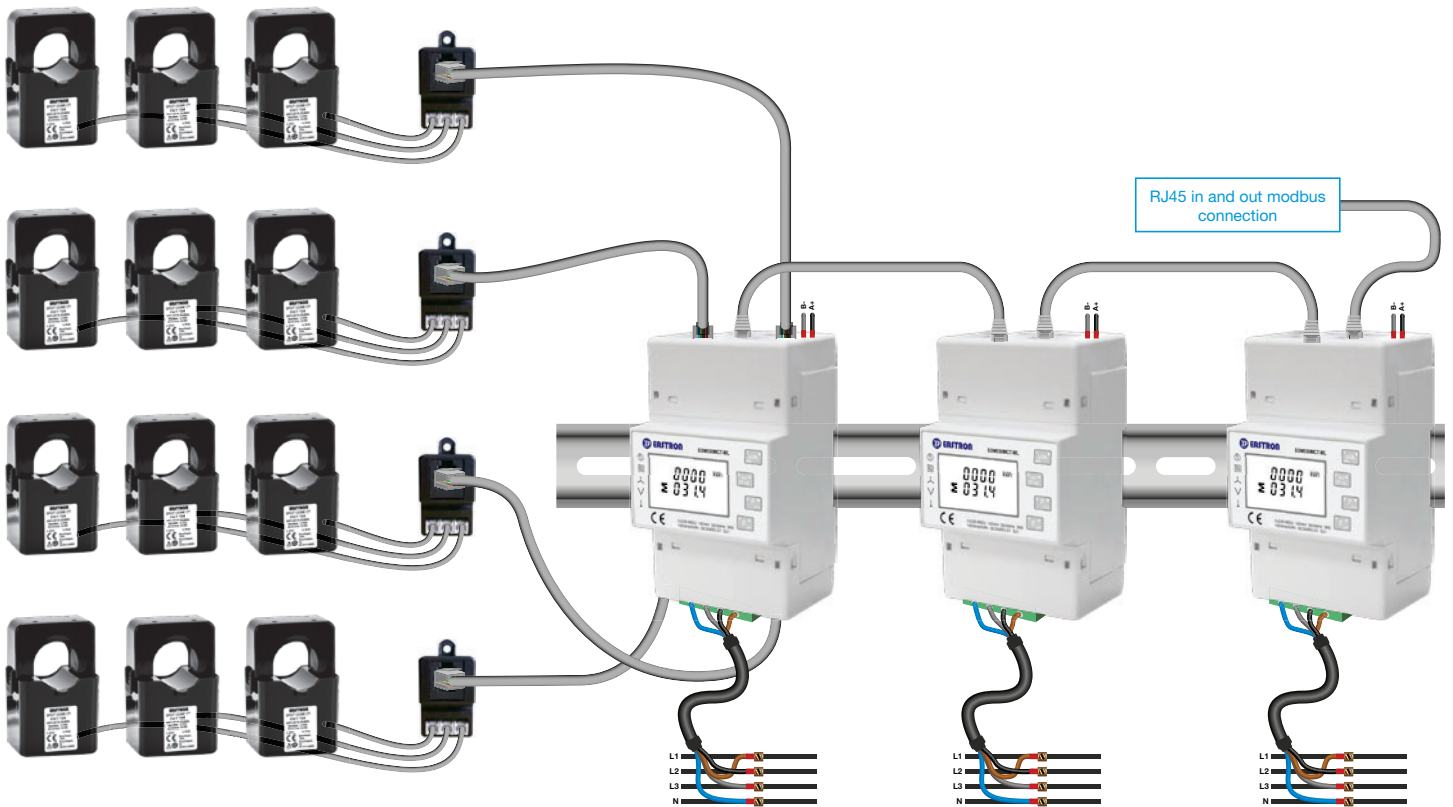


Example of 3 phase installation

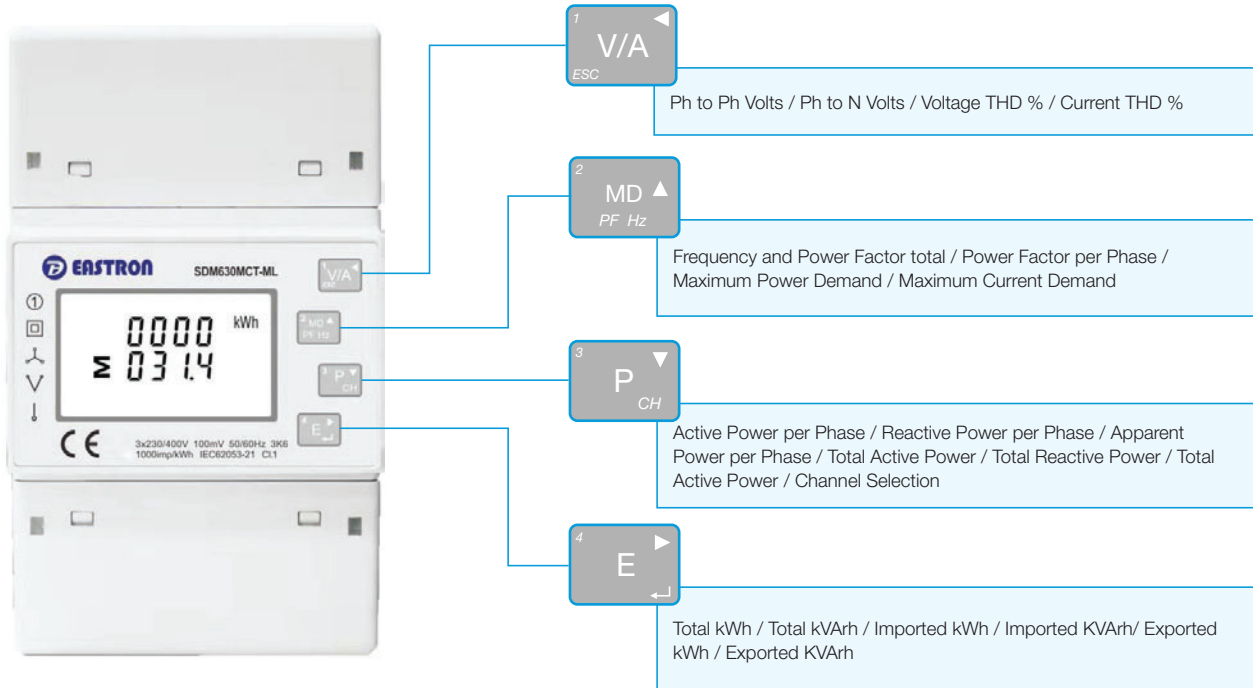


Example of 1 phase installation

Up to 12 one phase current transforms
on one meter (SDM630MCT-4L)



Features



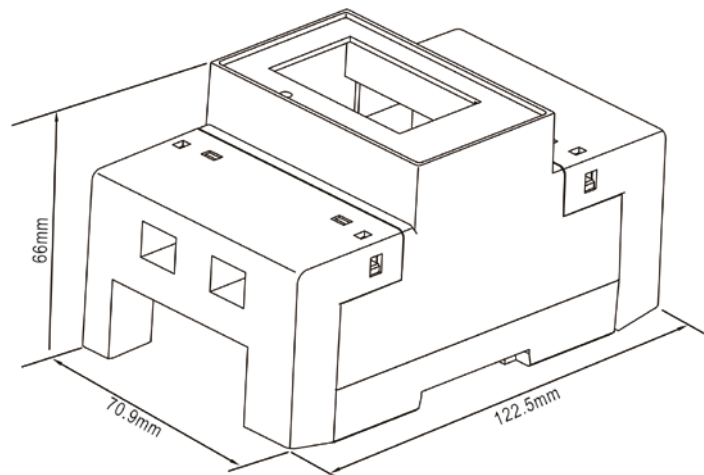
Conformity references:

Electromagnetic Compatibility: IEC/EN61326-1, IEC/EN55011 Class A, IEC/EN61000-4-2,-3-4-5-6-8-11 IEC/EN50470-1/3

Accuracy: IEC/EN50470-1/3, IEC/EN62053-21, IEC/EN62053-23, DIRECTIVE 2014/32/EU

Safety: IEC/EN61010, IEC/EN50470-1

Dimension drawing



For more information on these products, please contact our sales team on 0203 758 3494 or email sales@eastroneurope.com

www.eastroneurope.com