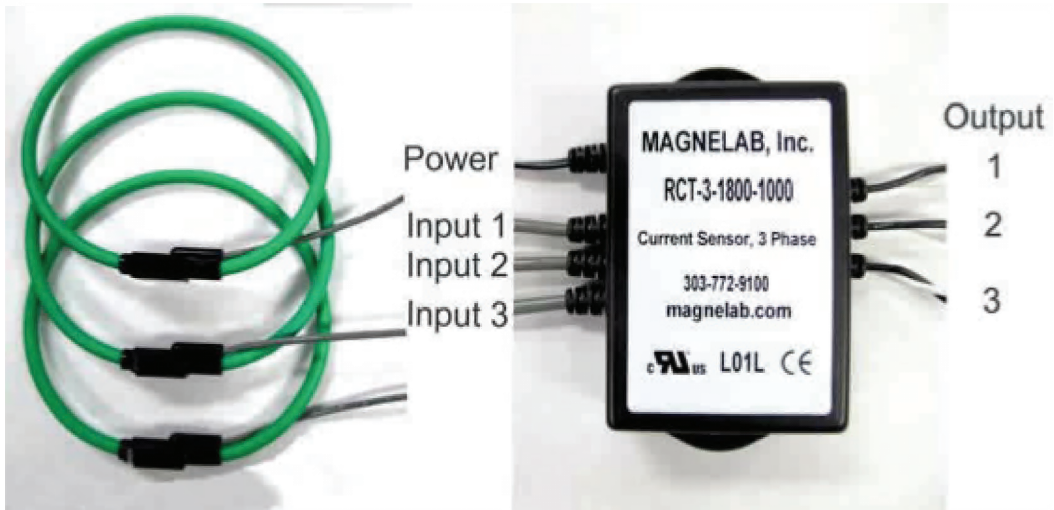




Three Phase Flexible Rope CT[®] System RCS Sensor



- Measures AC current rated from 250 to 5,000 Amps.
- Accuracy +/- 1%
- Suitable for three phase electrical applications.
- Rope CT[®] Coils open at the connector junction.
- Can be installed on an existing cable or buss-bar in a matter of seconds.
- Also available in single phase configuration.
- Available 3rd quarter 2011.

Magnelab flexible RopeCT® measures AC current rated from 250 to 5,000 Amps for three phase electrical applications. The coils open at the connector junction and can be installed on an existing cable or buss-bar in a matter of seconds. Also available in single phase configuration.

Electrical Specifications (for each phase)

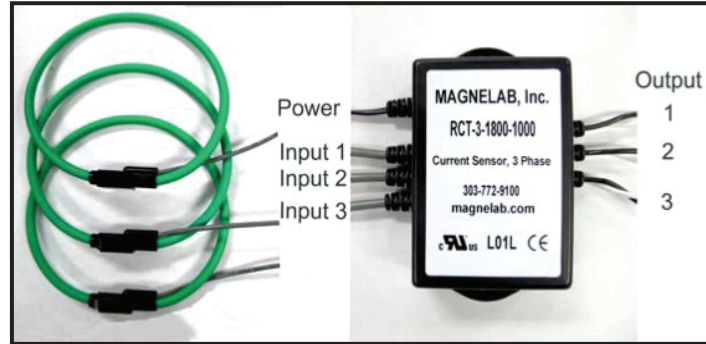
- Input from 250 to 5,000 Amps
- Output 0.333 V at rated current (up to 5 V available)
- Accuracy ±1%
- Phase angle < 0.5 degrees
- Rated accuracy at 10% to 300% rated current

Mechanical Specifications

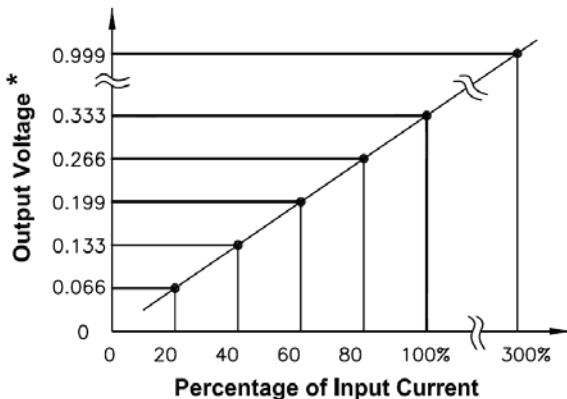
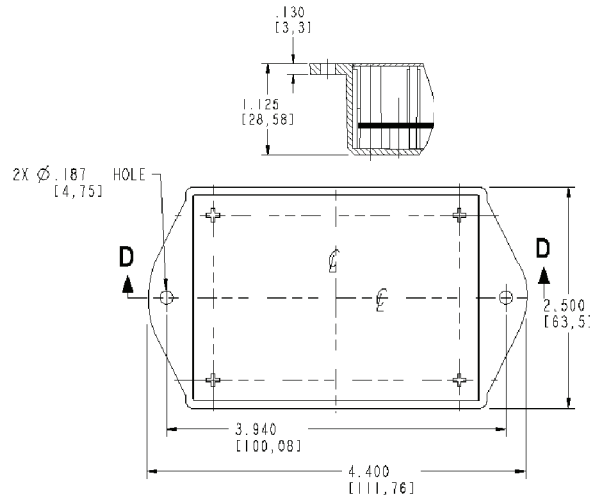
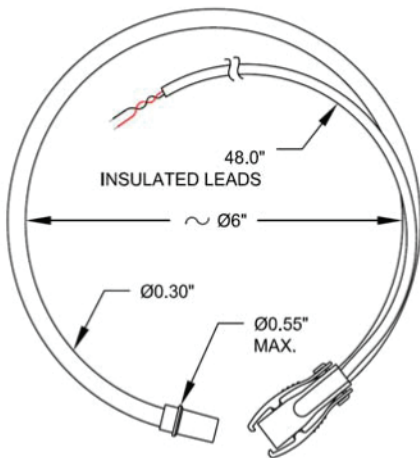
- Coil Length 18 inches [0.46 m]
- 4 ft. insulated leads
- 8 ft twisted pair hook-up leads (600V)

Features

- Power supply provided
- Other ratings and specifications available
- Coil length from 12, 18, 24, 36, or 48 inches available



CE RoHS  ISO 9001:2008



MAGNELAB PART	RATING (Amps)
RCS-1800-YYY	OPTIONAL RATING
RCS-1800-0250	250
RCS-1800-0400	400
RCS-1800-0500	500
RCS-1800-0800	800
RCS-1800-1000	1000
RCS-1800-1500	1500
RCS-1800-2000	2000
RCS-1800-2500	2500
RCS-1800-3000	3000
RCS-1800-4000	4000
RCS-1800-5000	5000