

# LED Indicator Product Introduction



## LED INDICATOR

### Application

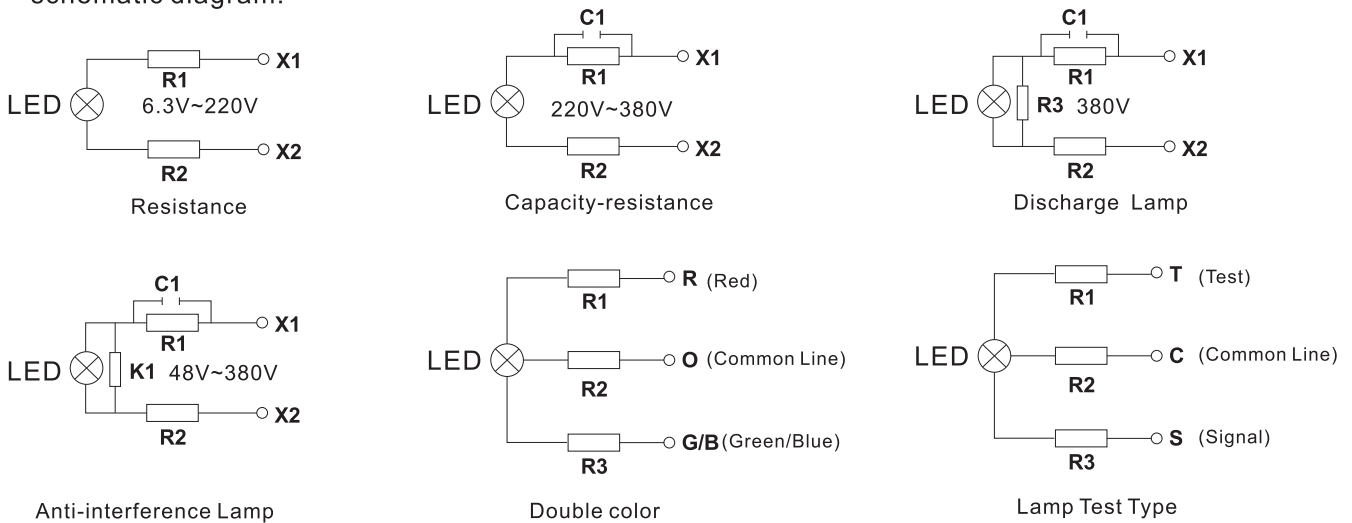
AD22 series indicator light are used in the telecommuni-cation and electrical circuit of AC 50HZ or 60HZ, rated working voltage 380V and below DC working voltage 220V or below for indicator signal, accident signal, fault signal and other indicator signals, they meet with the standard: IEC60947-5-1.

### Structure and function

AD22 series indicator lights adopt LED lamp with the characteristic of long life and low energy consumption, its concealed terminal is both safe and creditable. The special locking nut structure makes the installation available in the dimension of AD22-22:  $\Phi 22.5$  mm to  $\Phi 25.5$ mm, AD22-16:  $\Phi 16.5$  mm to  $\Phi 16.5$ mm.



#### ELECTRIC schematic diagram:



### Man technical parameter

Operation temperature:-5℃~+40℃	Power-frequency withstand voltage:2500V, min
Operation humidity:45%~85%	Installation degree:III
Pollution degree:3	Degree of protection:IP65
Rated operation voltage	(U <sub>e</sub> ) AC/DC 6.3V AC/DC 12V AC/DC 24V AC/DC 48V AC/DC 110V AC/DC 220V AC 380V
Rated operation current	(I <sub>e</sub> ) ≤80mA ≤20mA
Base colour	Green Yellow Red Blue White
Electrical Life(h)	≥30000
Brightness	≥60