

CEM-C31

Three-phase electrical energy meter with indirect measurement, assembly on DIN rail



Description

Three-phase electrical energy meter with indirect measurement, 5(10)A. Built-in LCD display (7 digits) with rotating screen system. Features built-in RS-485 communications. Also features 2 buttons (1 sealable button) for viewing all the measured information.

Other features include:

- MID certification, module B+D (depending on the type)
- Class 1 active energy (Class B, in accordance with MID), Class 2 reactive energy
- Complies with the **EN 50470** (MID European standards) or **IEC 62052-11** standards (international standards), depending on the type.
- Compact size (4 modules, 72 mm)
- Resettable partial meter
- 1 programmable impulse output, in accordance with **DIN 43864** (**CEM-C31-T1**)
- 1 Digital input for Tariff selection and impulse count (**CEM-C31-DS**)
- Indicates bad connections on the screen
- Energy storage, even in the case of bad connections

Applications

- Redundant meter for verifying the energy allocated by the energy provider.
- Energy consumption report sent to a remote system (PLC/BMS).
- Cost control for achieving a high consumption/unit ratio in industrial processes.
- Display of electrical parameters (V, A, kW, kW-h, PF, etc.), per phase and three-phase.

Technical features

Power circuit	Rated voltage	230 Vac
	Tolerance	± 20%
	Frequency	50...60 Hz
	Consumption	< 2 W / 10 VA
Voltage measurement circuit	Connection	Three-phase
	Reference voltage	3 x 57/100...3 x 230/400 Vac
	Frequency	50 / 60 Hz
	Self-consumption	< 2 W / 10 VA
Current measurement circuit	Nominal current I_n	5 A
	Maximum current	10 A
	Self-consumption	< 0.1% of I_n
Accuracy	Active Energy	Class 1 (IEC 62053-21)
	Reactive Energy	Class 2.0 (IEC 62053-23)
Communications	Hardware	RS-485
	Protocol	Modbus
	Baud rate	9600, 19200, 38400 bps
Impulse output (CEM-C31-T1)	Type	Optocoupled
	Electrical features	max. 24 Vdc 50 mA
Digital input (CEM-C31-DS)	Type	Potential-free contact NPN
	Isolation	Optoisolated
	Function	Tariff selection (T1/T2) and impulse count
Environmental features	Operating temperature	-25 °C...+70 °C
	Relative humidity	5%...95% without condensation
Mechanical features	Protection degree	IP 51 installation / IP 40 terminals
	Dimensions	70 x 90 x 64 mm
	Weight	230 g
	Material	ABS + V0 self-extinguishing polycarbonate
Standards	IEC 62052-11, IEC 62053-21, IEC 62053-23, MID	

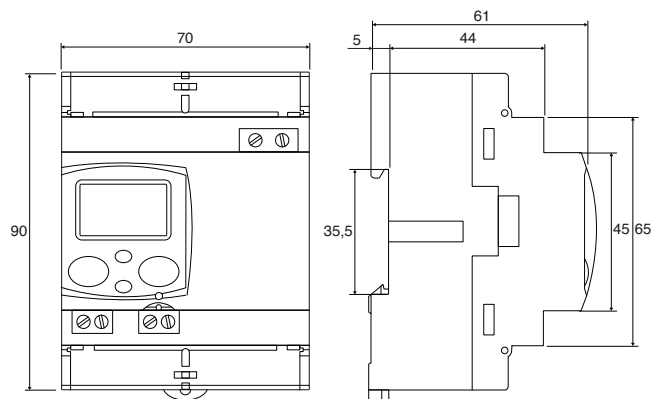
CEM-C31

Three-phase electrical energy meter with indirect measurement, assembly on DIN rail

References

Type	Code	Parameters measured	Digital Input	Impulse output	RS-485	MID
CEM-C31-T1	Q23511.	V, A, kW, kWh, kvar, kvarh, PF	-	1	-	-
CEM-C31-485-T1	Q23521.	V, A, kW, kWh, kvar, kvarh, PF	-	1	Yes	-
CEM-C31-485-DS	Q23531.	V, A, kW, kWh, kvar, kvarh, PF	1	-	Yes	-
CEM-C31-T1-MID	Q23512.	V, A, kW, kWh, kvar, kvarh, PF	-	1	-	Yes
CEM-C31-485-T1-MID	Q23522.	V, A, kW, kWh, kvar, kvarh, PF	-	1	Yes	Yes
CEM-C31-485-DS-MID	Q23532.	V, A, kW, kWh, kvar, kvarh, PF	1	-	Yes	Yes

Dimensions



Connections

CEM-C31-T1

CEM-C31-DS

