



SmartMeters



### Summary

The 3 phase 100amp smart meter boasts a wealth of functions and comes with MID approval making it suitable for billing purposes. Smart meters can be read remotely and give real time information on your energy usage, allowing you to manage it effectively.

Featuring multiple tariff options and import and export as standard. Highly accurate with extensive security features and secure communication with encryption and authentication.

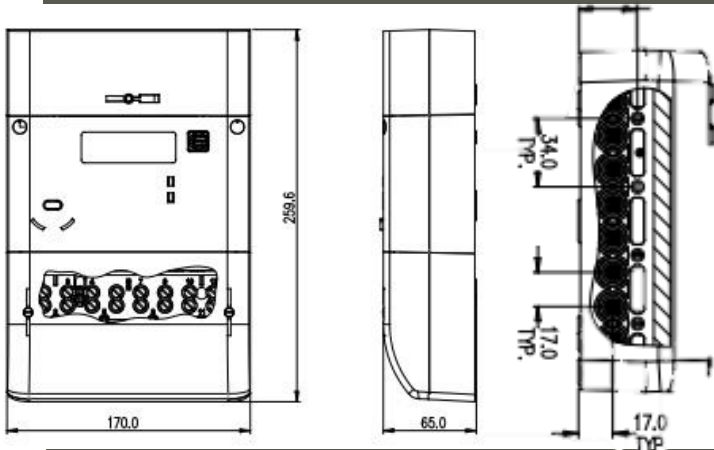
This meter can be pre-programmed using dedicated software prior to dispatch.

This Smart Meter is supplied with a Meter Online SIM to enable Automatic Meter Reading, [click here](#) to find out more.

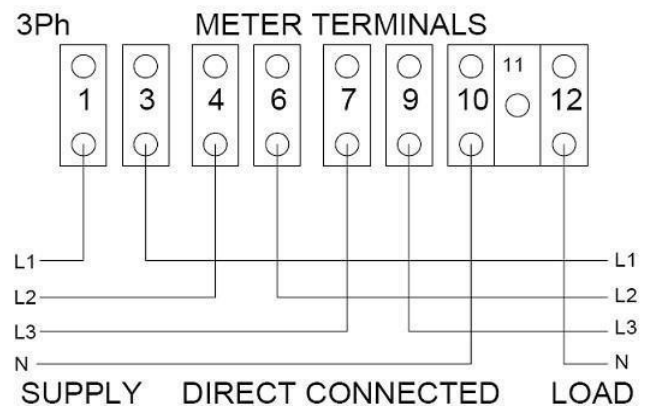
**Product Code**  
**Meter Type**  
**Fitting Type**  
**Max Current (Amps)**  
**MID Approved**  
**Smart**  
**Input Type**  
**Tariffs**  
**Import / Export**  
**Availability**  
**Condition**  
**Brand**  
**Country of Manufacture**

**EMP1.AX**  
**Three Phase**  
**Wall Mounted**  
**100A**  
**Yes**  
**Yes**  
**Direct Connect**  
**Multiple**  
**Import & Export**  
**Next Day**  
**New**  
**Emlite**  
**UK**

### Dimensions



### Wiring Diagram



Click here to register

# MeterOnline

Energy Monitoring Portal  
 Online Remote Meter Reading  
 Automatic Reports & Alerts

- 1 - Purchase compatible smart meter
- 2 - Register here on MeterOnline
- 3 - Read your meter(s) remotely

As many meters as you like all on 1 account

