

2P 16/25A

Auxiliary  
Contacts

## Technical Data

### Application

- EKMF modular contactor is applicable to alternative circuit with rated voltage up to 400V, rated current up to 24A and rated frequency 50/60Hz.
- The product Circuit.

### Construction and Feature

- Compact and modular design
- Electro-magnetic mechanism free of noise
- Contact position indication
- Big contact capacity and long endurance
- Automatic and manual type



4P 16/25A

### Electrical Features

- Power circuit
- Rated current: 16, 25, 40, 63A
- Rated voltage:  
230V 2pole  
400V 4pole
- Rated frequency: 50 / 60Hz
- Remote control circuit(coil)
- Control voltage: 24V, 220V-240V
- Rated frequency: 50 / 60Hz
- Mechanical endurance: 100,000 cycles
- Electrical endurance: 30,000 cycles
- Ambient temperature: -5°C~+60°C
- Connection terminal: pillar terminal with clamp
- Installation:  
On symmetrical din rail 35mm  
Panel mounting



2P 40/63A

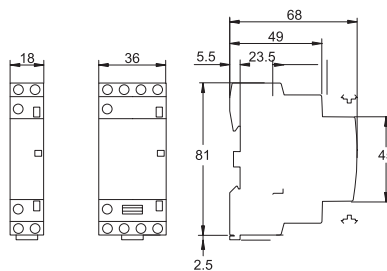
### Contact form

- 2P: 2NO, 2NC, 1NO+1NC
- 4P: 4NO, 4NC, 3NO+1NC, 2NO+2NC

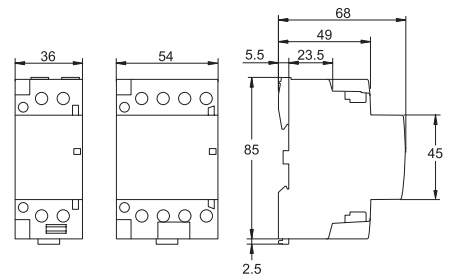
## Overall and Installation Dimension(mm)



4P 40/63A



EKMF 16/25A



EKMF 40/63A

## Application

- Applicable to circuit with rated voltage 230V~ and rated frequency 50/60Hz, used to power electric bell of extra low voltage.

## Construction and Feature

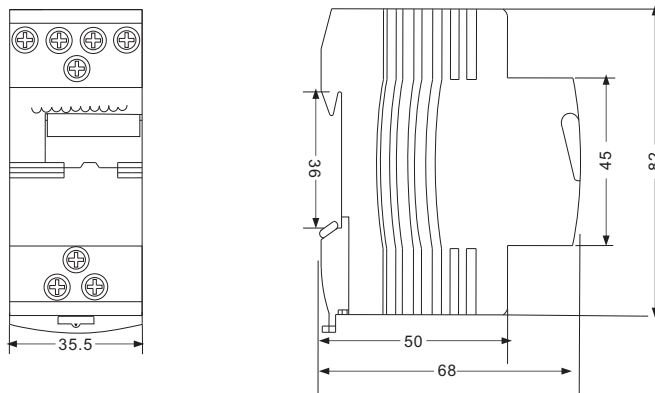
- Safe electrical separation between primary and secondary circuit
- Provides extra low voltage up to 24V
- Low temperature rising
- High output accuracy
- Extra overload capacity up to 25% within 24 hours



## Technical Data

- Rated input voltage: 230V AC
- Rated output voltage: 8, 12, 16, 24V
- Rated frequency: 50 / 60Hz
- Rated power output: 8VA
- Consumption: 0.9W
- Service period: continuous operating
- Pollution class: 2
- Connection terminals: pillar terminal with clamp
- Connection capacity: rigid conductor 10mm<sup>2</sup>
- Installation:
  - On symmetrical DIN rail 35mm
  - Panel mounting
- Terminal Connection Height: H=15.5mm

## Overall and Installation Dimension(mm)



### EKSL Modular Signal Lamp

#### Application

- The Modular Signal Lamp is applicable to circuit with rated voltage 230V~ and frequency 50/60Hz for visual indication and signaling.

#### Construction and Feature

- Low service duration, minimum power consumption
- Compact design in modular size
- Easy installation

#### Technical Data

- Rated voltage:230V AC
- Rated frequency:50/60Hz
- Colour:red,green,yellow
- Connection terminal:pillar terminal with clamp
- Connection capacity:rigid conductor 10mm<sup>2</sup>
- Installation:
  - On symmetrical DIN rail 35mm
  - Panel mounting
  - Terminal Connection Height:H=19mm

#### EKSL signal lamp

- Max power:0.6W
- Illumination:LED
- Service duration:30,000 hours



### EKPB Modular Pushbutton Switch

#### Application

- The Modular Pushbutton Switch is applicable to circuit with rated voltage up to 250V~and frequency 50Hz for controlling, signaling and interlocking.

#### Construction and Feature

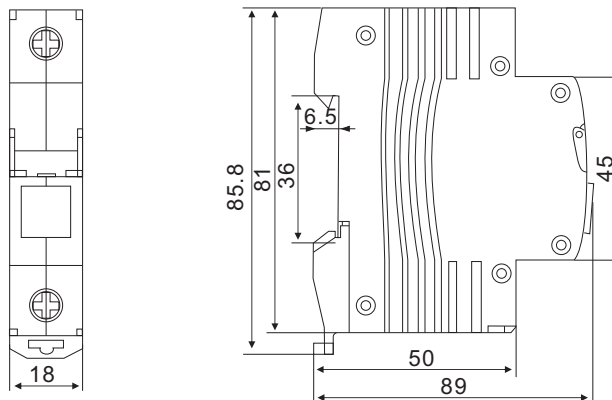
- Minimum power consumption
- Compact design in modular size
- Easy installation

#### Technical Data

- Ambient temperature:-25~+40℃
- Service duration:cycles≥100,000hours
- Installation resistance:≥50MΩ
- Rated current:3A
- Rated voltage:250V
- Contact resistance:≤50MΩ



### Overall and Installation Dimension(mm)





### Application

- The electric bell is suitable for audible signaling for intermittent use only in domestic and commercial installations.

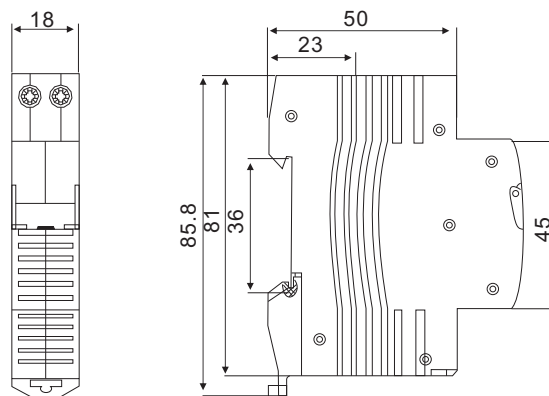
### Construction and Feature

- Elegant appearance, compact size and easy installation
- Low consumption
- Product with rated current up to 24V AC to be powered by bell transformer EKEB.

### Technical Data

- Rated voltage: 8, 12, 24, 230V AC
- Rated frequency: 50/60Hz
- Service mode: intermittent
- Connection terminal: pillar terminal with clamp
- Connection capacity: rigid conductor 10mm<sup>2</sup>
- Installation:
- On symmetrical DIN rail 35mm
- Panel mounting
- Terminal Connection Height: H=17mm

### Overall and Installation Dimension(mm)





### Application

- The Changeover Switch can switch on, Load and break the circuit under normal conditions, using as Switch Disconnectors.

### Technical Data

- Standard: IEC/EN60947-3
- Rated Voltage: 240/415V
- Rated Current: 16, 25, 32, 40A
- Rated Frequency: 50/60Hz
- Number of Poles: 1, 2, 3, 4P
- Contact form: 1-0-2

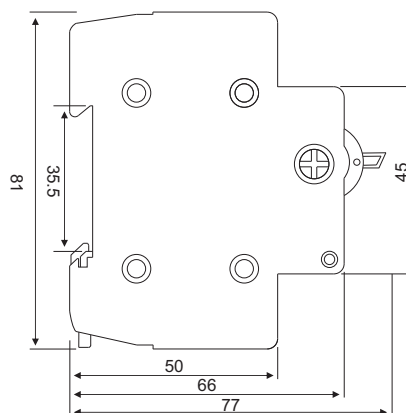
### Mechanical Features

- Electrical Life: 1500 Cycles
- Mechanical Life: 8500 Cycles
- Protection degree: IP20
- Ambient Temperature: -5°C...40°C

### Installation

- Terminal/Cable size: 16mm<sup>2</sup>
- Mounting: On DIN rail EN60715(35mm) by means of fast clip device.

### Overall and Installation Dimension(mm)



Standard: IEC60884

CE RoHS



EKP20



EKP7

EKP20 and EKP7 Modular Socket can be used together with our modular products for connection of mobile devices, tools or electric and electronic non-Modular equipments directly inside civil and industrial switchboards.

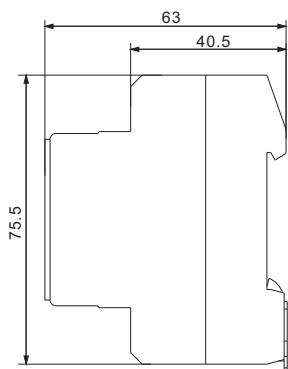
### Assortment

Model	Rated current (A)	Standard	Width (mm)	Connection capacity
EKP20	10, 16, 25	Germany	44.5	< 6mm <sup>2</sup>
EKP7	10, 16, 25	France	44.5	< 6mm <sup>2</sup>

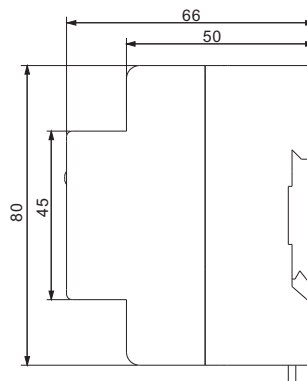
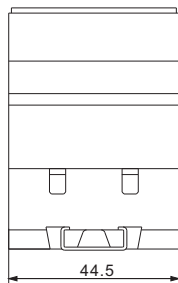
### Specifications

Main voltage	230/400 V, 50Hz/60Hz
Electric life	5,000 times
Rated insulation voltage Ui	500V
Rated impulse withstand voltage Uimp	5,000V
Dielectric test voltage at ind. Freq. For 1 min.	2.8kV
Mounting category	II, III
Pollution degree	2
Protection class	IP20
Standard mounting	35mm DIN rail
Ambient temperature	-5°C to +40°C
Storage temperature	-25°C to +70°C

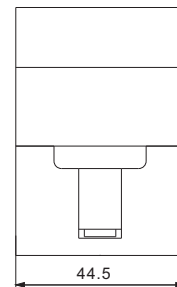
### Dimensions(mm)



EKP20



EKP7





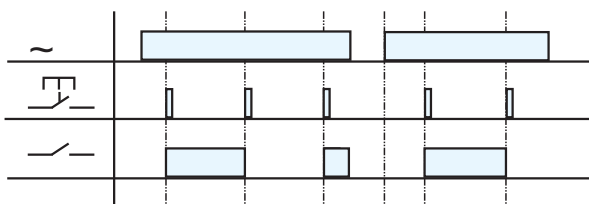
### Function

- Longer mechanical and electrical life, and much quieter than electromechanical step relays.
- Controlled by buttons for light switching from more places, are a practical replacement for three-way switches and cross-bar switches.

### Technical Data

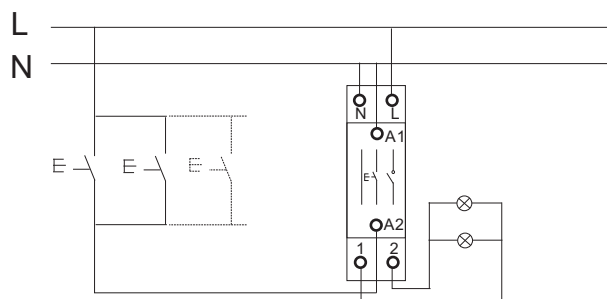
- Rated Voltage: 230VAC 50-60Hz
- Rated Current: 16A 250VAC(COSφ=1)
- Contact configuration: 1NO(SPST-NO)
- Mounting: DIN Rail 35 mm(EN 60715)
- Ambient temperature range: -10...+60

### Functions

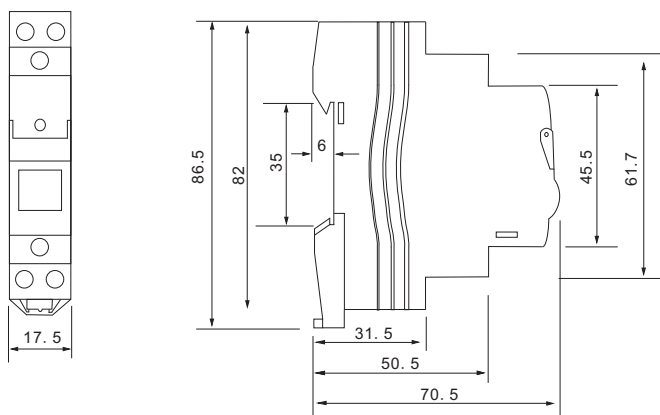






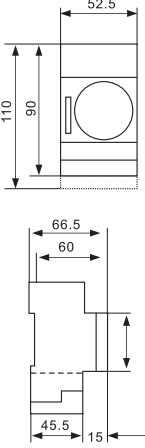
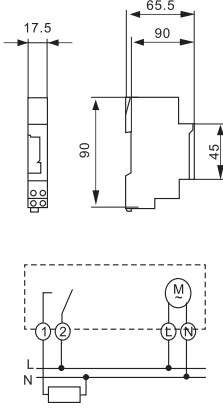
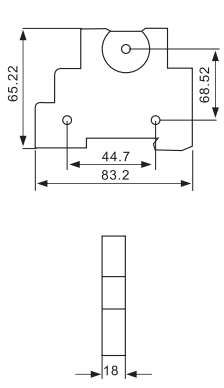
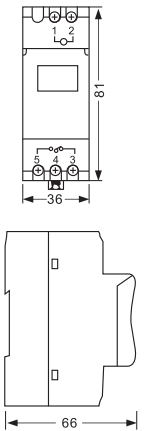
After every impulse, the output contact changes state alternately switching from open to closed and vice versa.

### Connection Diagrams



### Dimensions(mm)



Classification		24 Hours Timer		Timer	Weekly Programmable Timer
Model		SUL181H	SUL180A	CAE8	CAHC15A
Appearance					
Contact Capacity		AC250V 16A	AC250V 16A	AC250V 16A	AC250V 12A
Full Timing Range		24h	24h	7m	Per week or per day cycle
Contact resistance		$\leq 50m\Omega$	$\leq 50m\Omega$	$\leq 50m\Omega$	$\leq 50m\Omega$
Insulation Resistance		$\geq 100m\Omega$	$\geq 100m\Omega$	$\geq 100m\Omega$	$\geq 100m\Omega$
Coil Voltage		110,230V AC	110,230V AC	110,230V AC	220V AC 85%~110%
Life	Electrical	$10^5$ times	$10^5$ times	$10^5$ times	$10^5$ times
	Mechanical	$10^7$ times	$10^7$ times	$10^7$ times	$10^7$ times
Operating Temperature		-40°C+55°C	-10°C+50°C	-40°C+55°C	-20°C+50°C
Dimensions(mm)					
Storage Battery (Working Reserve)		Time 150h	Time 70h	—	Rated Voltage: AC220V 50Hz 85%-110% Contact Form:1NC/1NO Accuracy: $\leq 2S/day(25^\circ C)$ Expectancy Display:LCD Mounting Form: From panel, DIN Rail
Minimum Setting Unit		30Minutes	15Minutes	0.5Minutes	Programmable: 8time week or day Memory Backup:15days
Set up Times		30m/per times 48 times	15 m/per times 96 times	1M, 1.5M,2M,2.5M, 3M,3.5M,4.5M,5M 5.5M,6M,6.5M,7M	