

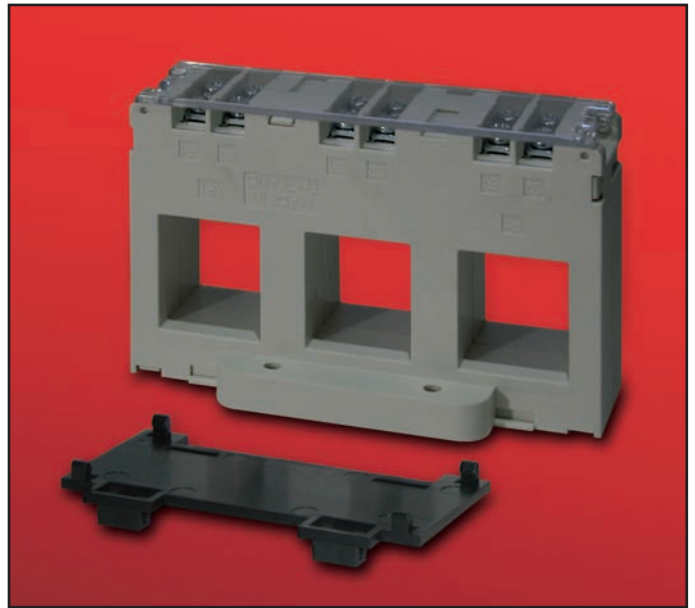
CT140 SERIES 3 PHASE MOULDED CASE CURRENT TRANSFORMERS

DESCRIPTION

Miniature three phase current transformers suitable for primary ranges from 250A-630A with 5A secondary. Supplied with terminal cover and choice of fixings.

APPLICATION

For installation onto cables or 31mm maximum busbars. The products have an overall width of 140mm allowing installation directly on top of moulded case circuit breakers.



TECHNICAL SPECIFICATION

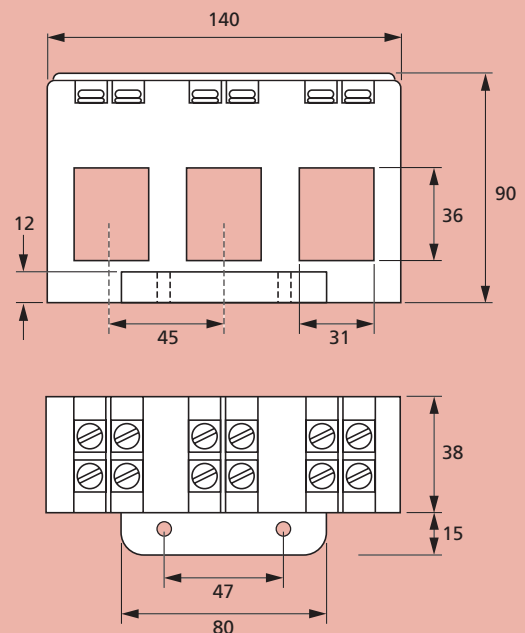
- Conforms to IEC 185, BS 7626, BSEN 60044-1 and IEC 60044-1.
- Rated system voltage 0.72/3kV.
- Ambient temperature range -30°C to 80°C.
- Frequency range 50-60Hz.
- Insulation level 3kV for 1 minute.
- Continuous current 1.2 x rated current.

RANGE

PRIMARY CURRENT	FOOT MOUNTED 31mm APERTURES	DIN RAIL MOUNTED 31mm APERTURES
250/5A	CT140F-250/5-2.5/1-31	CT140D-250/5-2.5/1-31
300/5A	CT140F-300/5-2.5/1-31	CT140D-300/5-2.5/1-31
400/5A	CT140F-400/5-2.5/1-31	CT140D-400/5-2.5/1-31
500/5A	CT140F-500/5-2.5/1-31	CT140D-500/5-2.5/1-31
600/5A	CT140F-600/5-2.5/1-31	CT140D-600/5-2.5/1-31
630/5A	CT140F-630/5-2.5/1-31	CT140D-630/5-2.5/1-31

All models are 2.5VA class 1. Other VA's, accuracies by request.

DIMENSIONS (mm)



Our policy is one of continuous development and therefore specifications may change without notice.

HOWARD BUTLER LTD

CROWN WORKS, LINCOLN ROAD
WALSALL WS1 2EB ENGLAND

Tel: 01922 640003 Fax: 01922 723626

International Tel: +44 1922 640003 E-mail: sales@hobut.co.uk

<http://www.hobut.co.uk>