

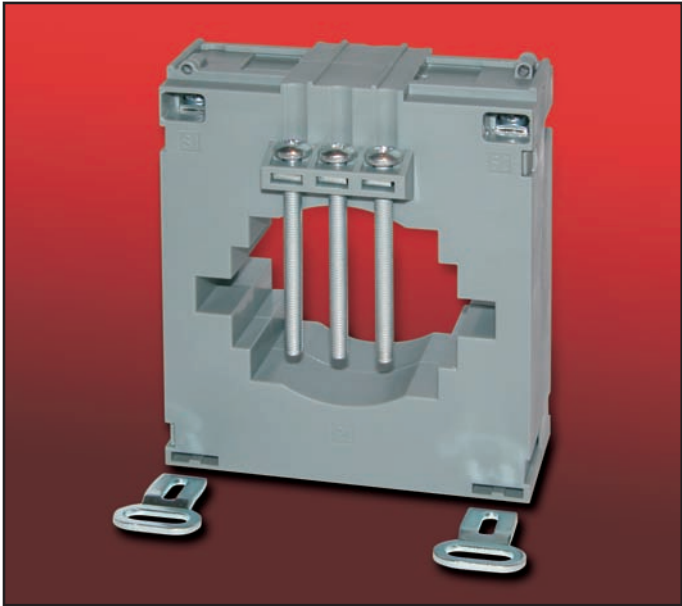
# 20 SERIES MOULDED CASE CURRENT TRANSFORMERS

### DESCRIPTION

A range of compact low cost moulded case current transformers suitable for primary currents from 400A to 2000A with built in sealable terminal covers.

### APPLICATION

For transforming various primary currents into 5A or 1A standard secondary using 60x30mm or 80x10mm busbars or cables up to 60mm diameter.



### FEATURES

- Built in sealable terminal covers.
- Mounting feet supplied.
- Narrow width - 100mm.
- Wide range of primary currents

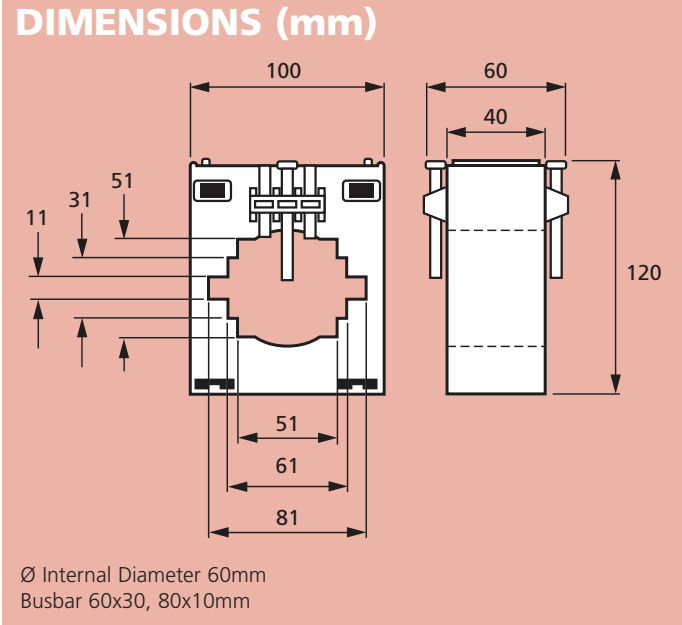
### TECHNICAL SPECIFICATION

- Conforms to IEC185, BS 7626, BSEN 60044-1 and IEC 60044-1.
- Rated system voltage 0.72/3kV.
- Ambient temperature range -30°C to 85°C.
- Continuous current 1.2 x rated current.

RANGE	5A Secondary											
	Class 3				Class 1				Class 0.5			
VA	2.5	5	10	15	2.5	5	10	15	2.5	5	10	15
400A	A1	A2	A3	-	A5	A6	A7	-	A9	A10	-	-
500A	B1	B2	B3	-	B5	B6	B7	-	B9	B10	-	-
600A	C1	C2	C3	C4	C5	C6	C7	-	C9	C10	-	-
800A	D1	D2	D3	D4	D5	D6	D7	D8	D9	D10	D11	-
1000A	E1	E2	E3	-	E5	E6	E7	E8	E9	E10	E11	-
1200A	F1	F2	F3	F4	F5	F6	F7	F8	F9	F10	F11	-
1250A	G1	G2	G3	G4	G5	G6	G7	G8	G9	G10	G11	-
1500A	H1	H2	H3	H4	H5	H6	H7	H8	H9	H10	H11	-
1600A	J1	J2	J3	J4	J5	J6	J7	J8	J9	J10	J11	-
2000A	K1	K2	K3	K4	K5	K6	K7	K8	K9	K10	K11	-

1A secondary available by request.  
Class 0.2S also available by request.

**Order Example:** A 20 series moulded case current transformer, with 5A secondary and 2000A primary 5VA class 1 is part number 20-5-K6



Our policy is one of continuous development and therefore specifications may change without notice.

## HOWARD BUTLER LTD

CROWN WORKS, LINCOLN ROAD  
WALSALL WS1 2EB ENGLAND

Tel: 01922 640003 Fax: 01922 723626

International Tel: +44 1922 640003 E-mail: sales@hobut.co.uk

http://www.hobut.co.uk