

RING TYPE SPLIT-CORE CURRENT TRANSFORMERS

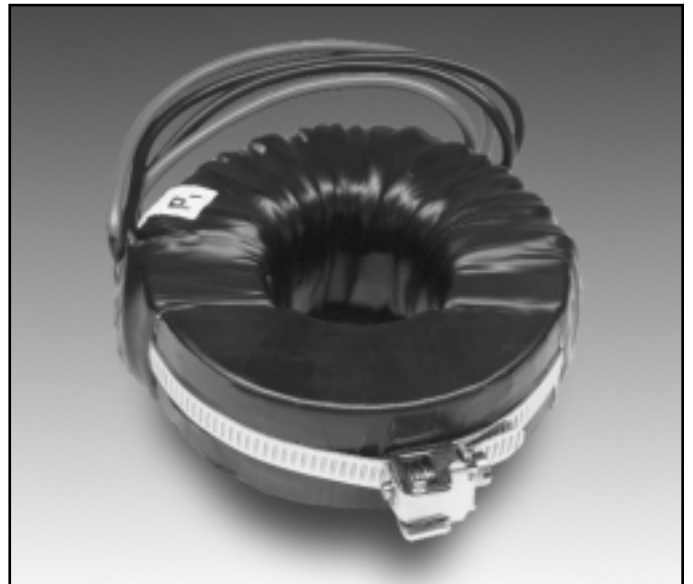
HOBUT

DESCRIPTION

A range of ring type Split-core Current Transformers. The products are tape wrapped and are complete with 1 metre length flying leads. Primary ranges are available up to 3000A with 5A secondary as standard.

APPLICATION

For installation into existing networks. The split-core allows installation without disconnecting cables or busbar circuits.



RANGE

Type	Primary current (A)	VA	Class	Inside diameter (mm)
1	100	1.5	1	32
	150	5	1	
	200	5	1	
	300	5	1	
2	400	5	1	45
	500	5	1	
	600	5	1	
3	800	5	1	65
	1000	5	1	
	1200	5	1	
4	1250	5	1	85
	1500	5	1	
	1600	5	1	
	2000	5	1	
5	2500	5	1	105
	3000	5	1	

TECHNICAL SPECIFICATION

- Conforms to IEC 185/BS7626 and BSEN 60044-1/IEC 60044-1.
- Rated system voltage 0.72/3kV.
- Ambient temperature range -30°C to 80°C.
- Frequency range 50-60Hz.
- Insulation level 3kV for 1 minute.
- Continuous current, 1.2 x rated current.

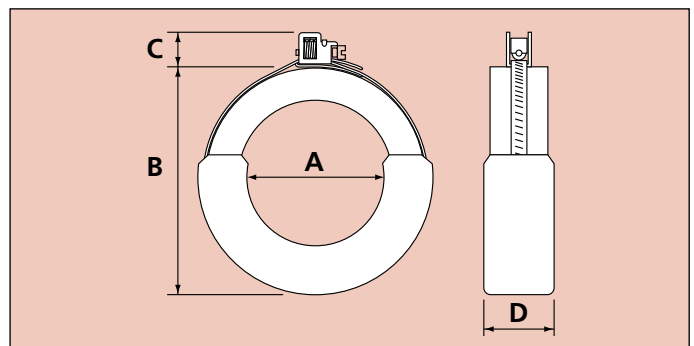
ORDER EXAMPLE:

A ring type split-core current transformer, size 2 600/5A is "Ring Split-CT, 600/5".

DIMENSIONS (mm)

Size	A	B	C	D
1	32	88	12	35
2	45	95	12	30
3	65	115	12	25
4	85	145	12	30
5	105	165	12	30

Leads: 1m of 1.5mm² PVC flexible cable.



Our policy is one of continuous development and therefore specifications may change without notice.

HOWARD BUTLER LTD

CROWN WORKS, LINCOLN ROAD
WALSALL WS1 2EB ENGLAND

Tel: 01922 640003 Fax: 01922 723626

International Tel: +44 1922 640003 E-mail: sales@hobut.co.uk

<http://www.hobut.co.uk>